

Knurled Control knobs

Aluminum

SPECIFICATION

Types

- Type **A**: with arrow
- Type **B**: neutral, without indicator point or scale
- Type **S**: with scale 0...9, 20 graduations

Identification no.

- No. **1**: with grub screw
- No. **2**: with collet

Aluminium
anodized, black

Scale ring
Plastic, black
pressed on

Arrow (Type A)
and scale (Type S)
white, engraved with laser precision

Cover
Plastic, light grey

Collet / hexagon nut
Brass

Stainless Steel-Grub screw DIN 916
with internal hexagon and serrated point



INFORMATION

The light grey cover of the control knobs GN 726.2 shrouds the fixing components as well as the shaft end. The cover also lends itself for a logo or other symbols.

The collet version permits a simple adjustment of the types with scale or arrow.

Besides the standard scale (Type S) the control knobs can be supplied with any type of graduation.

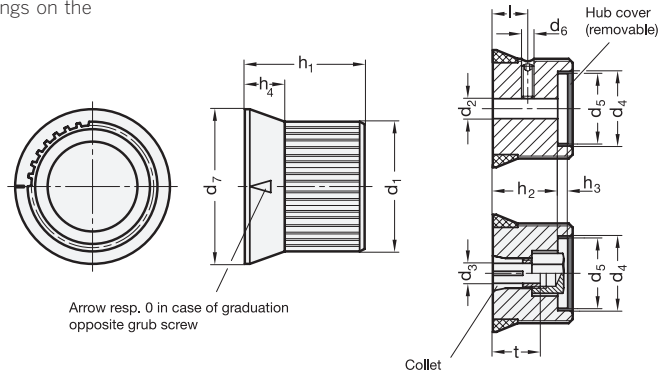
Regarding design, numbering run, numbering position and numbering sequence of the scale please see the layout for scale rings on the order sheet "How to order graduations" (see page 594).

ON REQUEST

- special graduations see "How to order graduations" (see page 594)

TECHNICAL INFORMATION

- ISO-Fundamental Tolerances (see page A21)



* Complete with types of the Knurled Control knobs (A, B or S)

A	B	S
with arrow	neutral	with scale

Arrow resp. 0 in case of graduation
opposite grub screw

GN 726.2

Description	d1	d2 H8	d3	d4	d5	d6	d7	h1	h2	h3	h4	l	t	⚖
GN 726.2-22-B5-*1	22	B 5	-	16	14	M 4	27.5	22	16	4.3	8	12.5	-	20
GN 726.2-27-B6-*1	27	B 6	-	20	18	M 4	33.5	26	20	4.3	9	14	-	36
GN 726.2-34-B6-*1	34	B 6	-	25	23	M 5	41	30	24	4.2	10	15	-	64
GN 726.2-34-B8-*1	34	B 8	-	25	23	M 5	41	30	24	4.2	10	15	-	63
GN 726.2-42-B8-*1	42	B 8	-	32	30	M 5	50	34	28	4	11	16	-	109
GN 726.2-42-B10-*1	42	B 10	-	32	30	M 5	50	34	28	4	11	16	-	108
GN 726.2-27-Z6-*2	27	-	Z 6	20	18	-	33.5	26	20	4.3	9	-	14	41
GN 726.2-34-Z8-*2	34	-	Z 8	25	23	-	41	30	24	4.2	10	-	17	70
GN 726.2-42-Z10-*2	42	-	Z 10	32	30	-	50	34	28	4	11	-	20	119

